



Minimized. For Maximum Effect.



# M-SERIES

**REDLAKE** DIGITAL IMAGING SYSTEMS

# M-Series



## 1.3 megapixels at 520 fps

Key features:

**Compact and rugged solution for use in harsh environments**

**Direct streaming of 1.3 megapixel images at over 500 frames per second**

**Circular buffering with pre and post triggering for event capture**

**External triggering and synchronization**

**Fully integrated with MotionPro X imaging suite**

The MotionScope M-series comprises two configurations of area scan cameras that are designed for use in industrial and research environments. The M-3 features a 1.3 megapixel sensor delivering over 500 fps via a standard Camera Link® interface, whereas the M-5 provides a very high resolution image with 4 million pixels and sustained rates over 150 fps. The camera electronics are packaged in a very compact and rugged housing capable of withstanding high g-forces and vibration.

Image capture to a computer system is done via a full camera link frame grabber. To ensure the best possible performance and ease of use, the M-series have been seamlessly integrated to operate with the MotionPro X software suite and the CORECO X64 Camera Link PCI-E board solution. The MotionPro X suite and SDK integrates the M-series in a single software platform with IDT X-series, and Redlake MotionXtra camera systems.

The camera benefits from such features such as pre and post triggering for event capture, circular buffering, external synchronization, and flexible choice of ROI. When very long record times are required this compact camera system is configured with a dedicated disk array system.

This flexible and compact camera system is well suited for a variety of vision inspection applications as well as for R&D laboratory usage.

*\*supported frame grabbers:*

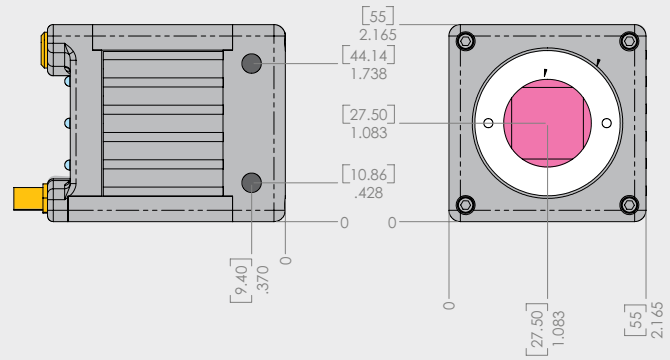
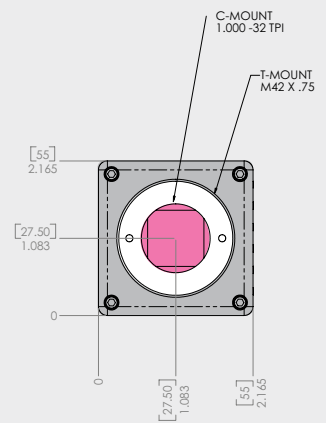
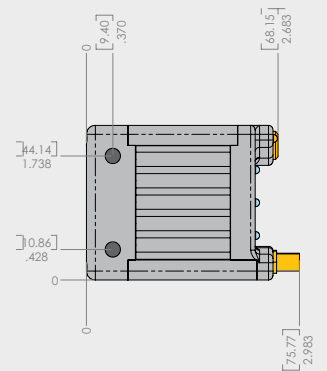
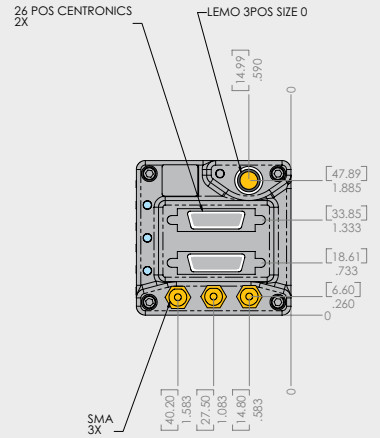
Coreco

National Instruments

Epix

# Technical Data

	M-3	M-5
Maximum fps @ Full Resolution	520 fps @ 1280 x 1024	170 fps @ 2352 x 1728
Array Size	1.3 megapixels	4 megapixels
Max fps @ Reduced Resolution	33,000 fps @ 1280 x 16	18,000 fps @ 2352 x 16
Sensitivity	3000 ASA Mono 1000 ASA Color	3000 ASA Mono 1000 ASA Color
Pixel Size	12x12 $\mu\text{m}$	7x7 $\mu\text{m}$
Color	Available	Available
Mono	Available	Available
Memory Options	PC RAM 4 GB (Win 32) 16 GB (Win 64) Direct to Disk	PC RAM 4 GB (Win 32) 16 GB (Win 64) Direct to Disk
Trigger	TTL & Switch	TTL & Switch
Sync (Input)	Phase-lock TTL	Phase-lock TTL
IRIG	N/A	N/A
GPS Time Code	N/A	N/A
Sync (Output)	Frame sync / Strobe	Frame sync / Strobe
HDMI	N/A	N/A
Comp Video	N/A	N/A
Camera Link	Full	Full
Ethernet	N/A	N/A
USB 2.0	N/A	N/A
Shock/Vibration rating	N/A	N/A
Battery Back-up	N/A	N/A
MotionPro X	Mac or Windows	Mac or Windows
Motion Central	N/A	N/A
Plug-ins/MotionPro X	LabVIEW or MatLab	LabVIEW or MatLab
File Formats - MotionPro X	TIF BMP AVI MRF MCF	TIF BMP AVI MRF MCF
File Formats - Motion Central	N/A	N/A
H x W x L	55x55x75 mm	55x55x75 mm
Weight	0.32 kg	0.32 kg



all dimensions shown in mm

**NORTH AMERICA**  
1202 E Park Ave  
Tallahassee, FL 32301  
United States  
P: (+001) 850-222-5939  
F: (+001) 850-222-4591

1 West Mountain Street,  
Suite 3  
Pasadena, CA 91103-3070  
United States  
P: (+001) 626-794-4649  
F: (+001) 626-794-4651

[www.idtvision.com](http://www.idtvision.com)

**EUROPE**  
Via Pennella, 94  
I-38057  
Pergine Valsugana (TN)  
Italy  
P: (+39) 0461-532112  
F: (+39) 0461-532104

Eekhoornstraat, 22  
B-3920 - Lommel  
Belgium  
P: (+32) 11 551065  
F: (+32) 11 554766

**ASIA**  
Unit 6, 9F, 77, Hun Hua S.  
Road  
Section 2, Taipei, Taiwan  
P: (+02) 2706-2110  
F: (+02) 2706-3837

No.388, Caonong Road,  
Songjiang Industry Zone,  
Shanghai, China  
Zip Code: 201612  
P: (+86) 21-57687667  
F: (+86) 21-57686418

6F Sakurai Bidg.  
2-8-19 Fukagawa, Koto-  
ku, Tokyo  
135-0033, Japan  
P: (+81) 3-5639-2773  
F: (+81) 3-5639-2808  
[www.idt-japan.co.jp](http://www.idt-japan.co.jp)

